

Water in Motion

Stainless Steel Whirlpools, Spas
and Hydrotherapy Pools



Natare Corporation

5905 West 74th Street • Indianapolis, IN 46278 USA
(800) 336-8828 • (317) 290-8828 • (317) 290-9998 fax
www.natare.com



Stainless Steel Whirlpools, Spas and Hydrotherapy Pools

Our Uniwall™ stainless steel whirlpools and spas are ideal for health spas, hotels, athletic trainings, hospitals, rehabilitation clinics, and just about anywhere that the soothing effects of hot water in motion are desirable. Each Natare system is pre-engineered, easy to install and durable.

A wide range of sizes, depths and shapes are available in custom and standard configurations that include complete mechanical and filtration systems, access equipment and rehabilitation systems, counter swim and hydrotherapy options. In ground, freestanding and elevated systems can be provided to meet special requirements.

For larger therapy pools and spas requiring extra creativity and flexibility, we adapt our pre-engineered Uniwall Swimming Pool Systems and integrated components to meet the needs of today's most innovation spa designs or the special requirements of hydrotherapy and aquatic exercise.

Systems from Natare will provide years of trouble-free service with minimal upkeep and maintenance. We make sure your systems are designed to provide sparkling clean and clear water.

Uniwall™ Stainless Steel Spas

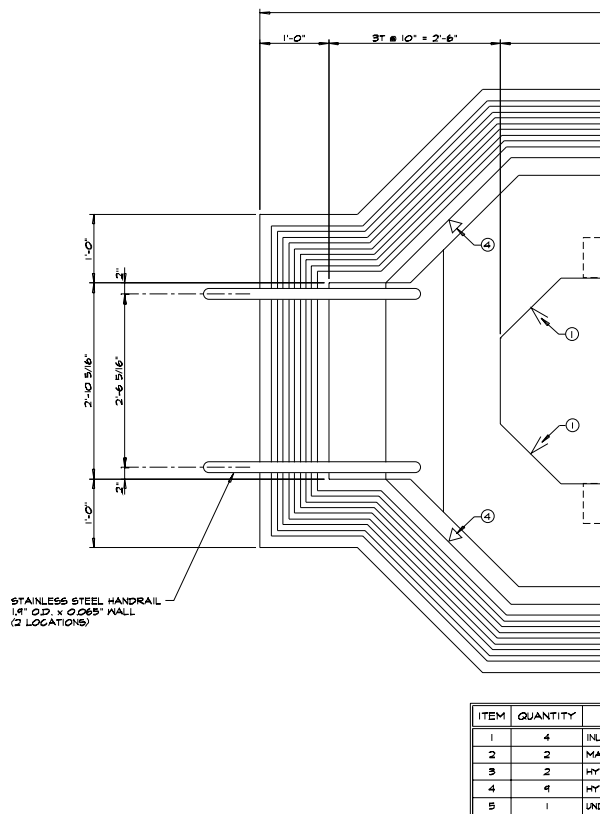
Uniwall Systems take the worry and guesswork out of hydrotherapy pool or spa design. Often, over emphasis is placed on the features or optional equipment while little thought is given to the all-important pool structure or shell.

Every facility is unique, with different needs, wants and budget constraints. Natare is positioned to respond to the particular requirements of practically any facility.

From hospitals and clinics, to health clubs, and facilities for physically challenged seniors, we offer products and systems, which combine to provide the right hydrotherapy pool solution.

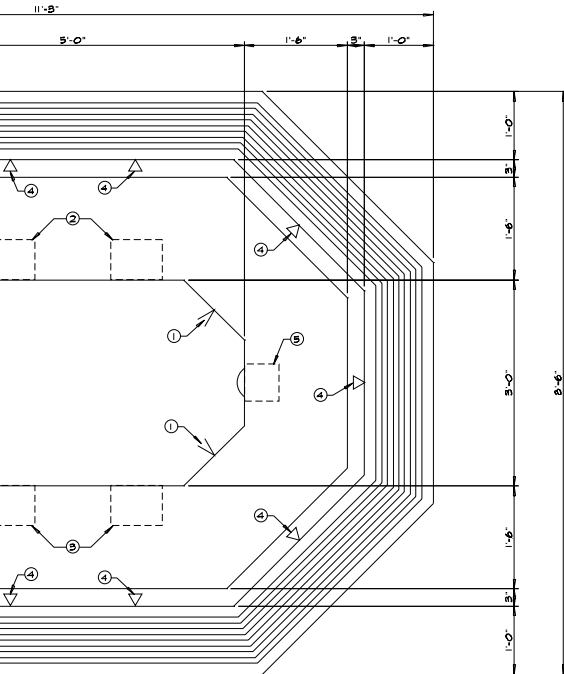
Our experienced staff will work with you and your professionals to select and specify the right assortment of equipment, systems and options for your clientele and programming.

Stainless Steel Construction
Each Natare hydrotherapy pool starts with our proven Uniwall stainless steel construction system. In a hospital, clinic or therapy situation, stainless steel is the ideal pool construction material. With its low maintenance, virtually unlimited lifespan and hygienic qualities, whirlpools and spas are the perfect fit. They will not crack, deteriorate or leak and the stainless steel finish is easy to maintain and attractive.



Uniwall elevated hydrotherapy pools or spas are specially designed for projects that require installation above the ground floor. These all-welded stainless steel units are structurally certified, completely watertight and can be custom designed and fabricated to provide exactly the right fit for your facility. Uniwall whirlpools and spas may be constructed to virtually any shape, depth or configuration.

For in-ground applications, stainless steel wall systems may be combined with a concrete floor to create a cost effective hydrotherapy pool. The Uniwall System includes all-welded construction and a pre-engineered structural support system to insure years of trouble free service.



DESCRIPTION
LET FITTINGS, 1 1/2" WALL TYPE, DIRECTIONAL
IN DRAIN SUCTION BOX, 12" x 12"
DRO THERAPY SUCTION BOX, 12" x 12"
DRO THERAPY INLETS, AIR INTAKE CONNECTIONS
PERMATEX LIGHT, 100W, 120 VOLT

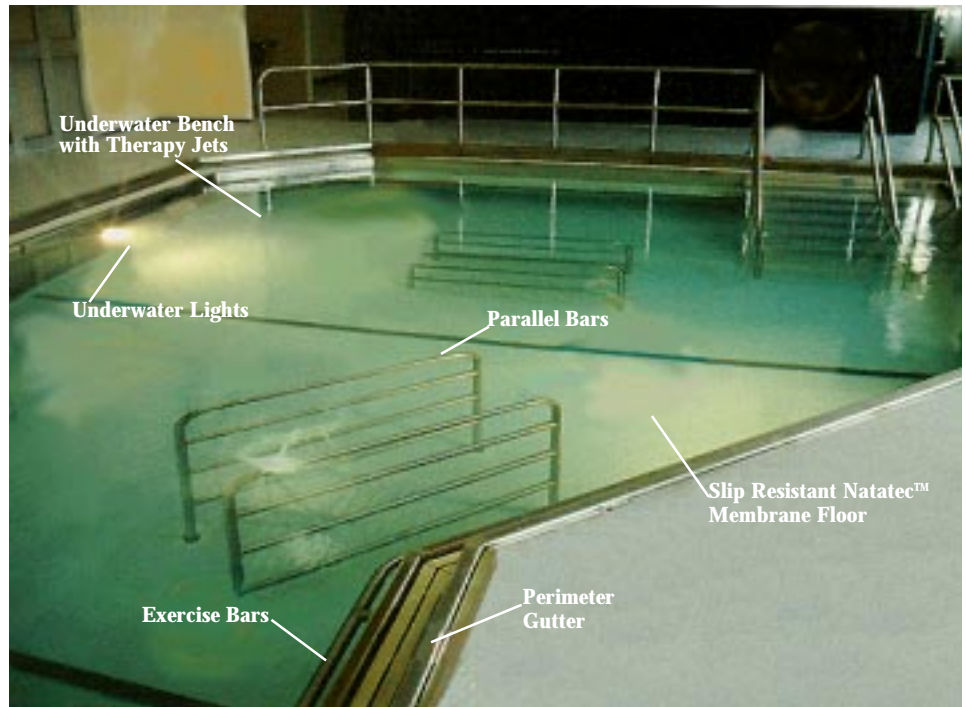
Optional Features
 Features of a whirlpool, therapy pool and spa can include hydrotherapy, terraced depths, temperature modulation, underwater exercise equipment, submerged walking tracks, underwater viewing/video windows, access equipment, counter-swim systems as well as parallel bars, exercise bars and walk-in step areas. Even the bottom of your pool can move up and down to meet varying requirements.



Item	Standard	Optional
Stainless Steel	low-carbon type 304	type 316
Interior Finish	#3 polish stainless steel	#7 (mirror) polish stainless steel
Waterline Tile		4"x4" waterline tile recess in silicone mastic
Fittings	2 inlet, 2 main drain, 4 hydrotherapy, 1 skimmer	seat bubbler, counter swim jet, air jets, air seats
Edge Trim		white or color match, teak, Corian
Insulation	minimal (shell only)	polyurethane foam (pre-plumbed)
Seat Trim		white or color match, teak, Corian
Handrail		1.09x.65 stainless steel
Underwater Light		small, high intensity

Natare has standard therapy pool designs, configurations and options that can be tailored to your needs. Parallel bars, access ramps, padded floor surfaces, resistance jet units and even underwater treadmills can be incorporated into your hydrotherapy pool.

Technical Aspects
 The technical aspects of filtration, recirculation, water motion, access and hydrotherapy effects are thoroughly engineered to your requirements. If your designs or requirements call for water in motion in any form, Natare provides the equipment, systems and pool configuration to make the project easier, more cost effective and ensures that it works right the first time.



Uniwall™ Stainless Steel Spa or Hydrotherapy Pool

Natare offers a complete line of stainless steel spas, which include all of the features and benefits associated with our Uniwall stainless steel swimming pools. You may choose from an assortment of standard prefabricated units or select a custom-fabricated, site-built spa.

Natare also designs and manufactures a variety of special use pools and tanks including plunge pools, underwater weighing, individual hydrotherapy tanks and rehabilitation systems.

The Ultimate Spa or Hydrotherapy Pool

Take advantage of durable Uniwall stainless steel construction:

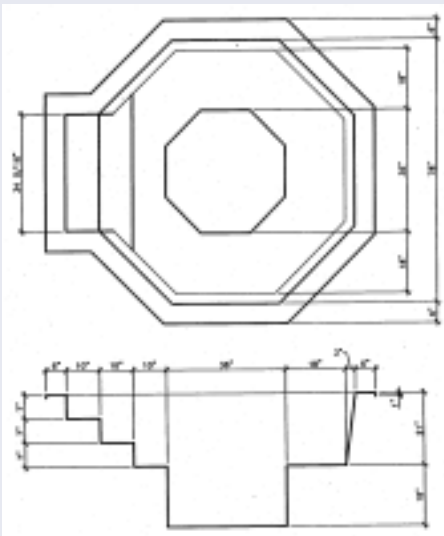
- Noncorrosive
- No painting
- Easy to install
- Watertight
- No staining or cleaning problems
- Handicapped access equipment
- No tile maintenance
- Ideal for high temperatures
- No delamination from heat or chemicals
- Custom-fitted, pre-designed and engineered



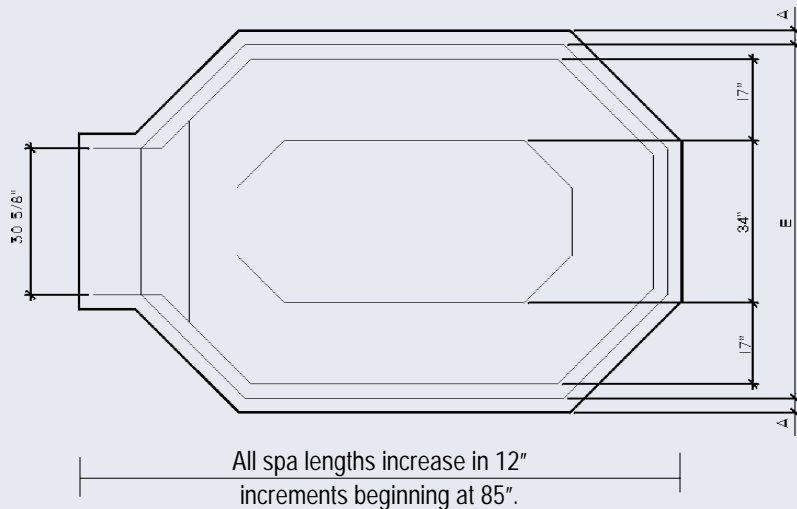
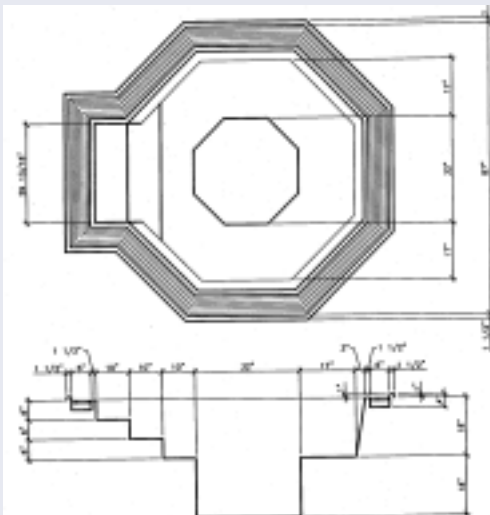
Mechanical Systems

Natare Uniwall spa and hydrotherapy pools can be provided with cost-effective and easily maintained mechanical systems. Select the recirculation, disinfection, filtration and heating system that is right for

your budget, either as a totally automatic system or with simple manual operation. Whether it's our unique MicroFlo™ and MicroCell™ filtration systems or quality systems from other top manufacturers, your spa or hydrotherapy pool can be tailored to your unique requirements.



with skimmer, above; with overflow gutter, below



Specification	Standard Spa (skimmer)	Deluxe Spa (skimmer)	Standard Spa (overflow gutter)	Deluxe Spa (overflow gutter)
Overall Width	80"	90"	90"	102"
Overall Length	90"-220"	99"-231"	85"-217"	91"-223"
Water Depth	32"	33"	36"	36"
Overall Height	38"	39"	36"	36"
Step Width	10"	10"	10"	10"
Water Volumes	400-2,000 gal.	450-2,100 gal.	525-2,150 gal.	575-2,200 gal.
Capacity (people)	2-20 persons	2-20 persons	2-20 persons	2-20 persons
Approximate Weight (empty)	55-1,250 lb.	550-1,250 lb.	550-1,250 lb.	550-1,250 lb.
Approximate Weight (full)	26,000-130,000 lb.	26,000-136,000 lb.	27,000-137,000 lb.	28,000-142,000 lb.